



Assembly and Operating Instructions for Outback® Portable Stainless Steel Charcoal BBQ



Photographs are not to scale.
Specifications subject to change
without prior notice.

OUT371036
Model No.: PG22



WARNING

- For outdoor use only. Do not use indoors! Not for commercial use.
- Read instructions before using the appliance. Failure to follow instructions could result in death, serious bodily injury, and/or property loss.
- **WARNING!** Do not use spirit or petrol for lighting or re-lighting! Use only firelighters complying to EN1860-3!
- **WARNING!** This barbecue will become very hot, do not move it during operation!
- **WARNING!** Accessible parts may be very hot. Keep children and pets away!
- The barbecue has to be installed on a secure level base prior to use.
- Any modification of the appliance, misuse, or failure to follow the instructions may be dangerous and will invalidate your warranty. This does not affect your statutory rights.
- Retain these instructions for future reference.
- The barbecue shall be heated up and the fuel kept red hot for at least 30 min prior to the first cooking.
- Do not cook before the fuel has a coating of ash.
- Do not use the barbecue in a confined and/or habitable space e.g. houses, tents, caravans, motor homes, boats. Danger of carbon monoxide poisoning fatality.

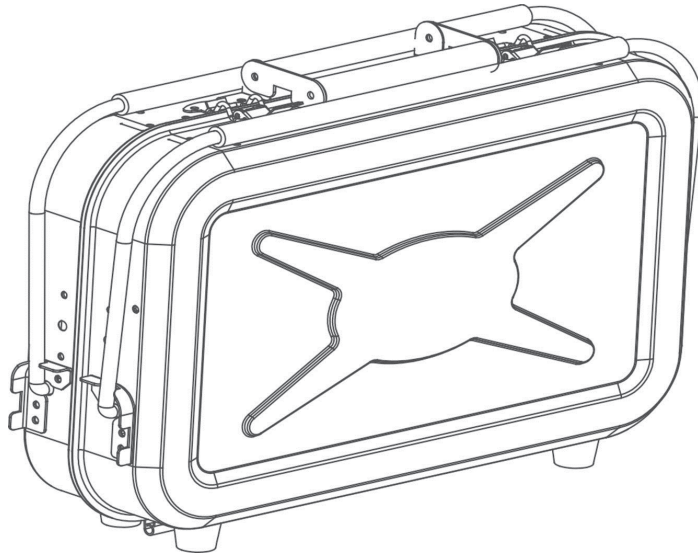


INSTRUCTIONS

Note:

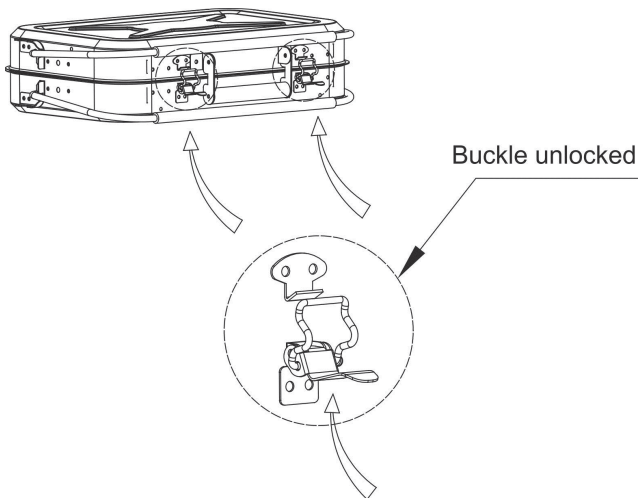
- It should be used after all parts are assembled.
- Keep away from children while using.
- Don't move BBQ Grill or touch hot grill body, to avoid injury.
- Don't pour any liquid into burning charcoal, like combustible fuels.
- Make sure the fire is completely extinguished before moving.
- The maximum amount of briquettes to be used at any one time is 0.5kg.

1



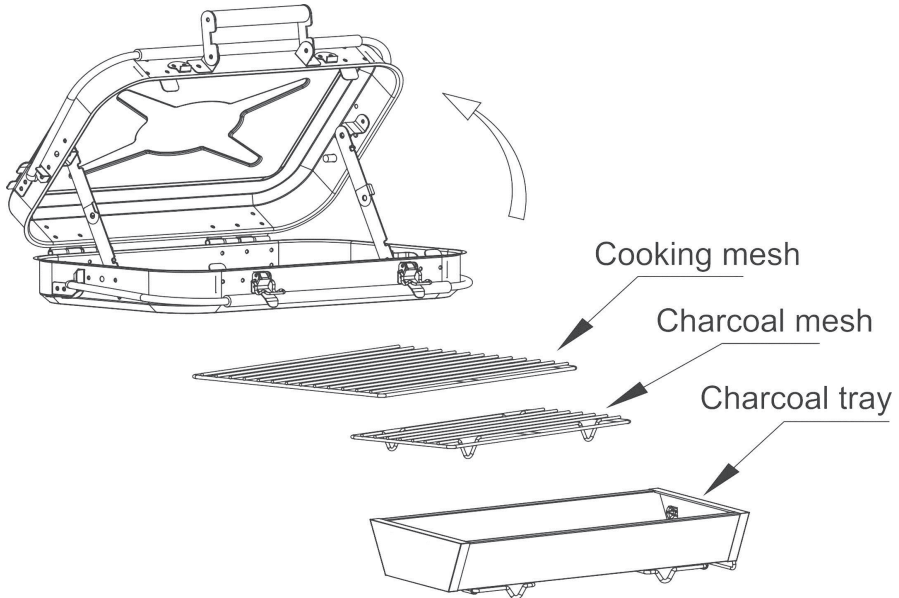
Remove all packaging materials on and inside the grill.

2



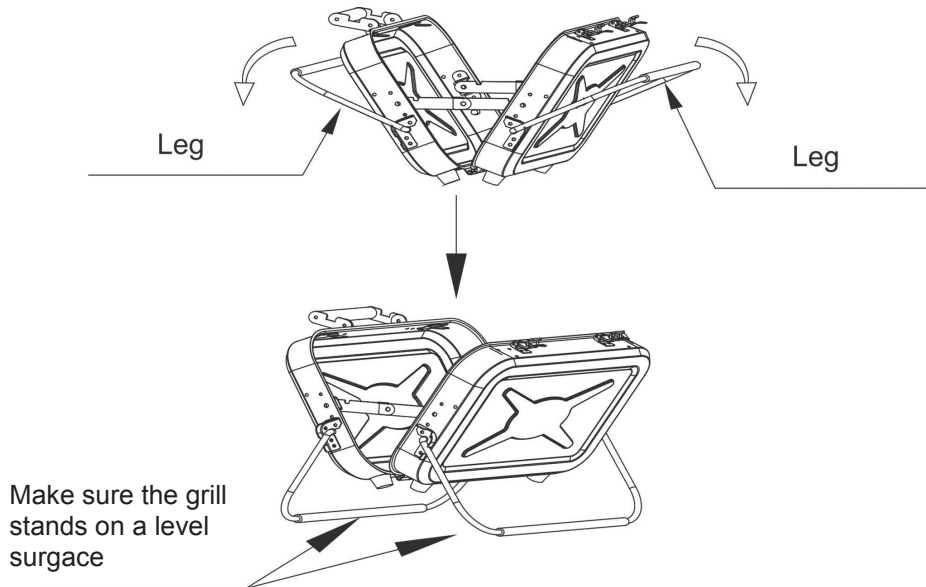
Unlock the buckles where the arrow indicates.

3



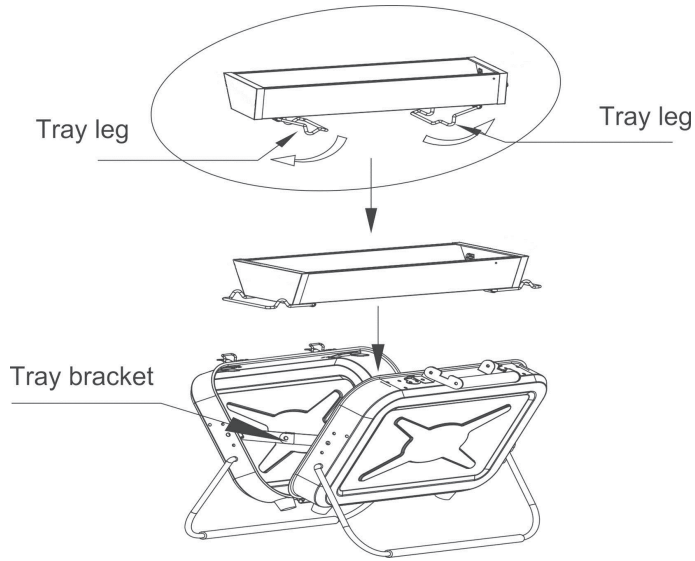
Open the grill body, take out all parts inside.

4



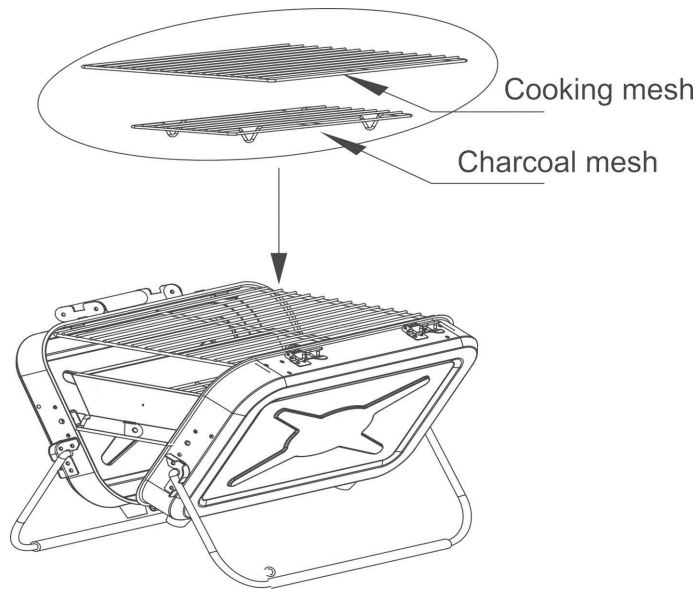
Unfold the legs to the right position.

5



Unfold the tray legs, then put the tray on the grill's tray bracket.

6



Put the charcoal mesh in the tray before loading any charcoal, then put the cooking mesh on top after the charcoal is lit.

Outback International (UK) Limited
Unit 4 Madley Airfield Industrial Estate
Stoney Street, Madley, Herefordshire
HR2 9NQ

