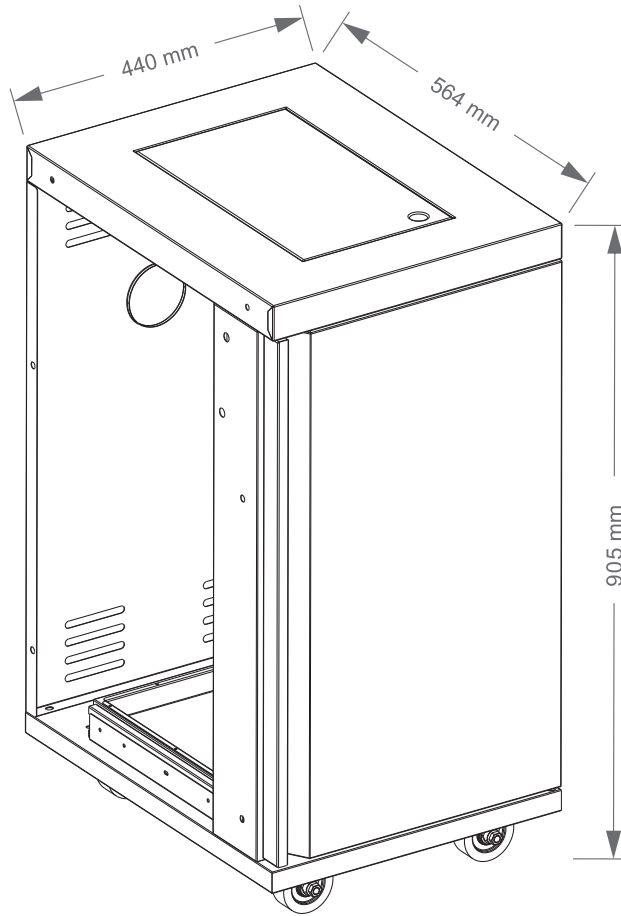


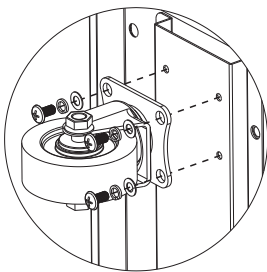


Assembly Instructions for Outback® Signature II Cylinder holder

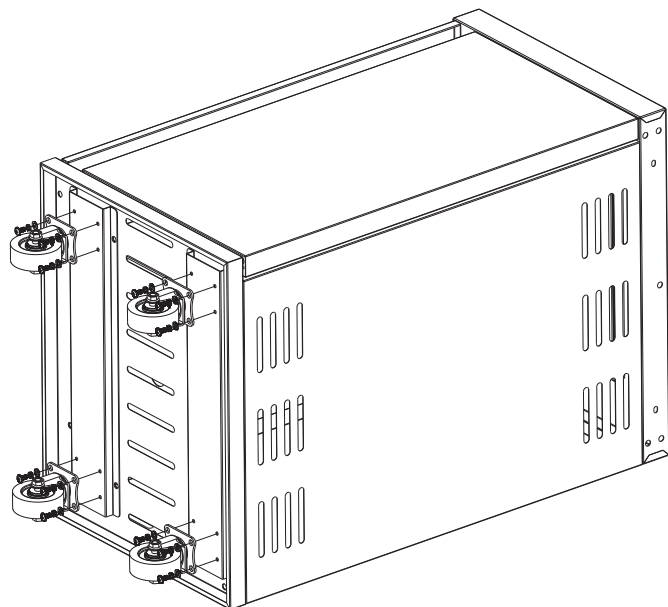


II Cylinder holder
OUT370761

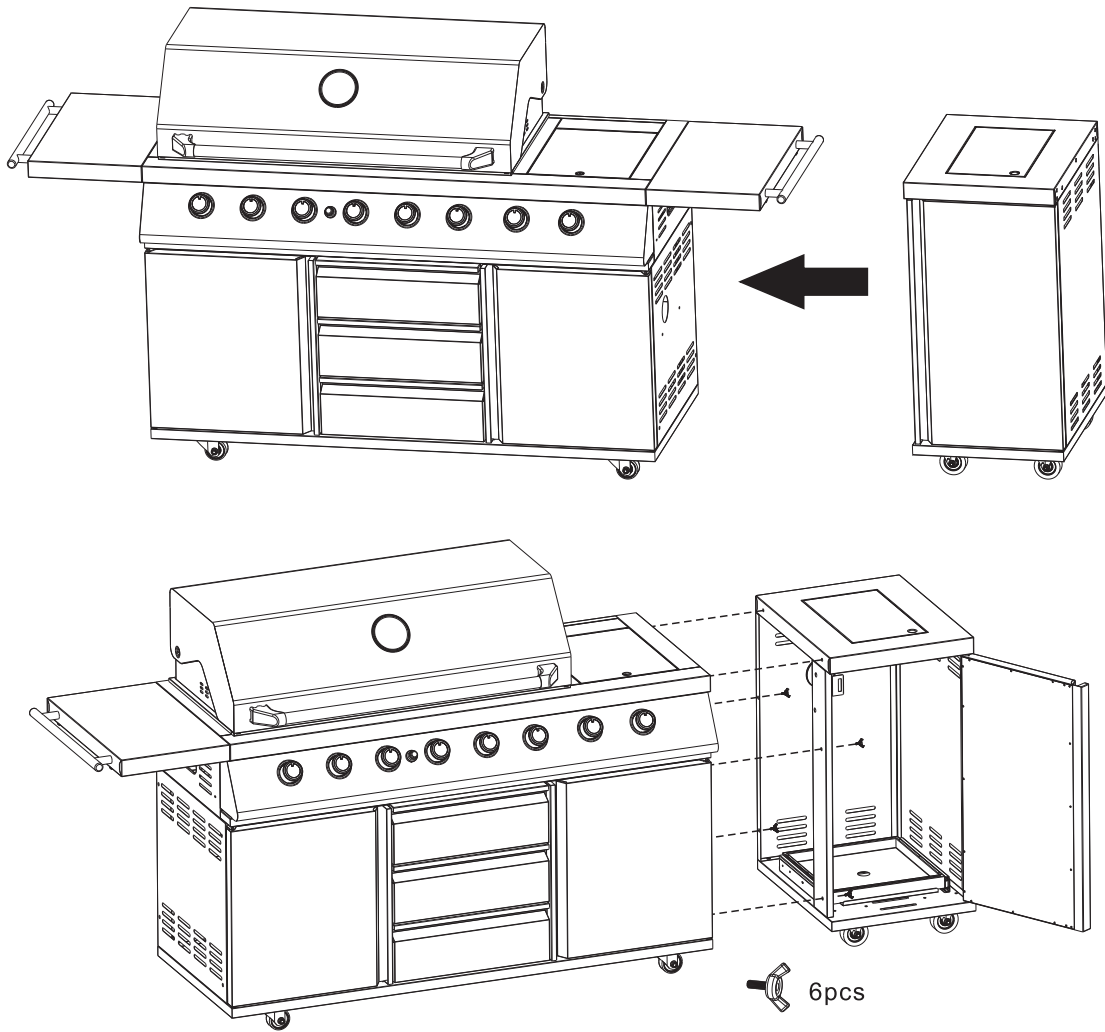
1. Wheels assembly




16pcs M6*12



2. Unscrew the side shelf from the BBQ firstly and then connect the cylinder holder by screws



3. The side shelf can be connected with the Cylinder holder

