


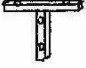
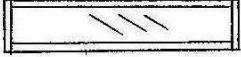

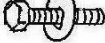

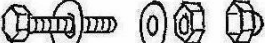


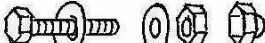

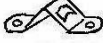



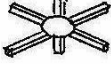
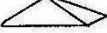
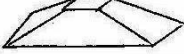
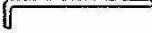
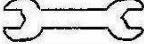


**Assembly and Operating Instructions for Outback®  
BBQ Gazebo**

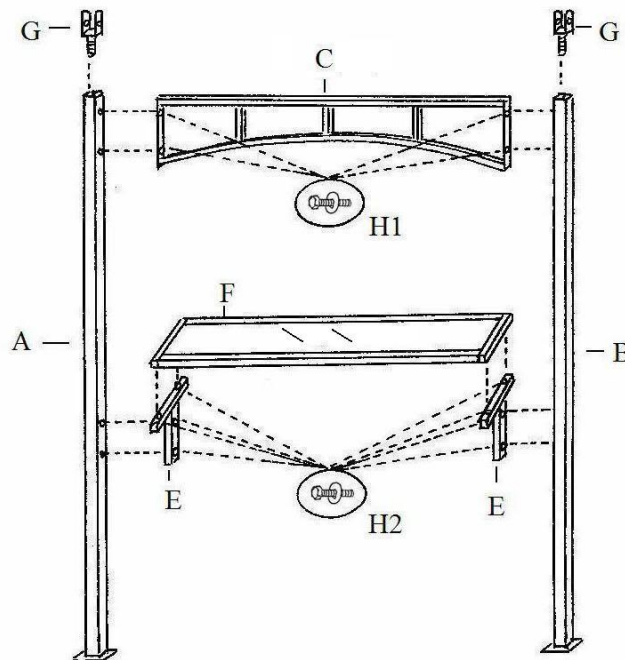


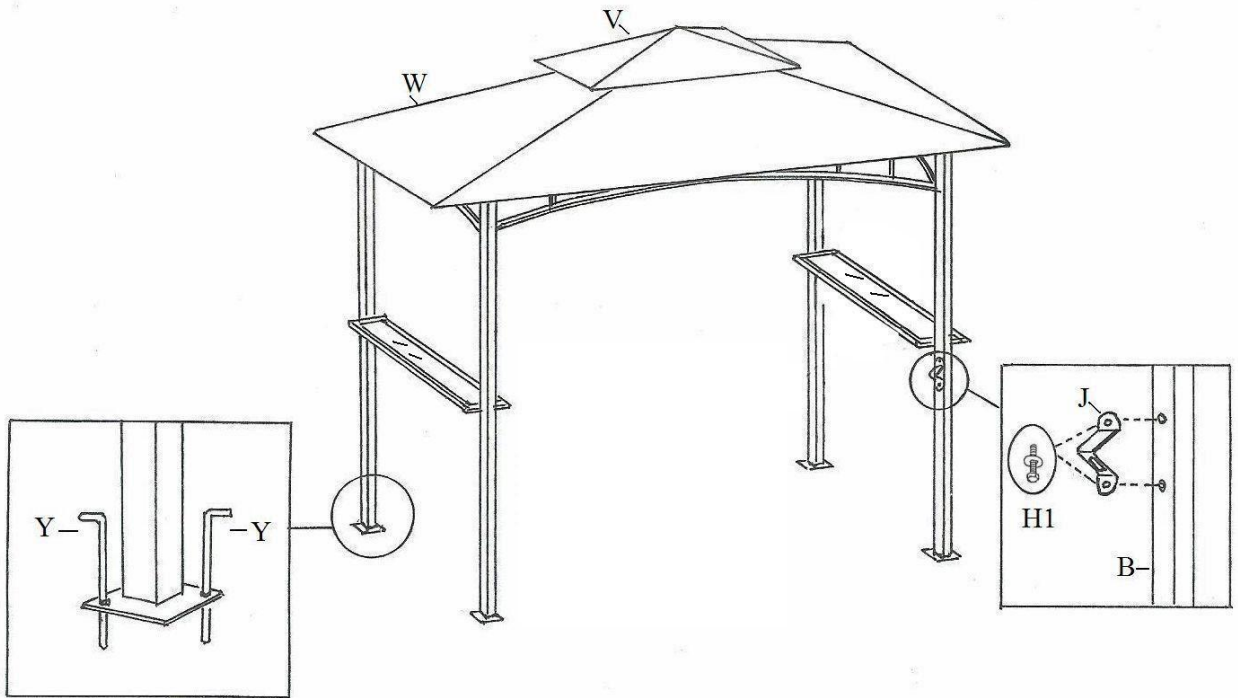
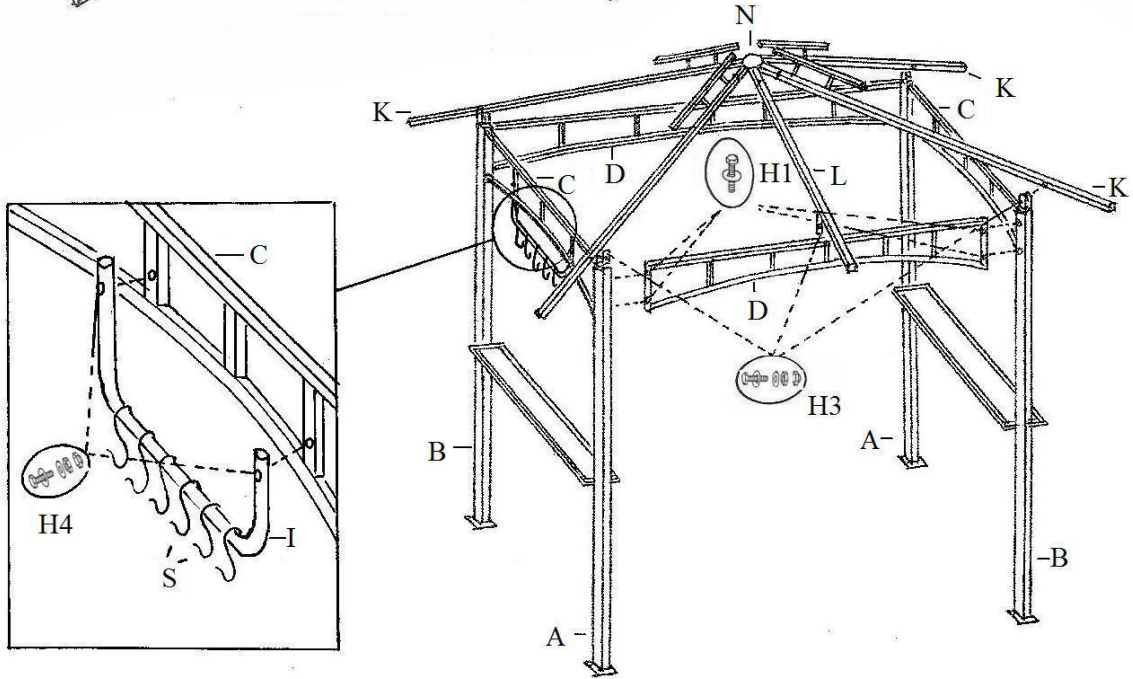
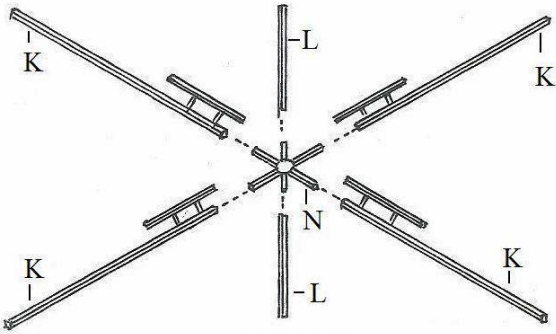
# Part List

| Part# | Figure  | QTY |
|-------|---|-----|
| A     |              | 2   |
| B     |   | 2   |
| C     |              | 2   |
| D     |              | 2   |
| E     |              | 4   |
| F     |              | 2   |
| G     |              | 4   |
| H1    | <br>M 6×16   | 18  |
| H2    | <br>M 6×28  | 16  |
| H3    | <br>M 6×32 | 6+1 |

| Part# | Figure  | QTY |
|-------|---|-----|
| H4    | <br>M 6×45 | 2+1 |
| I     |            | 1   |
| J     |            | 1   |
| K     |            | 4   |
| L     |            | 2   |
| S     |            | 6   |
| N     |            | 1   |
| V     |            | 1   |
| W     |           | 1   |
| Y     |          | 8   |
| Z     |          | 1   |

## Assembly Diagram





**Note!** This gazebo is meant to be used for Decorative and sunshade purposes only and is not meant to withstand all elements of the weather.  
It is recommended to remove the canopy top during inclement weather.

In the unlikely event that you experience problems with this product, please fill in our warranty form at:

<http://www.outbackbarbecues.com/warranty-form>

One of our colleagues will be in contact with you shortly.

For reference and correspondence, record your serial number here.

**Serial No.** \_\_\_\_\_

This number may be required when ordering spare parts or accessories. A part reference number may also be required where applicable.

HELPLINE NUMBER: 0345 388 6032