

A. Parts List

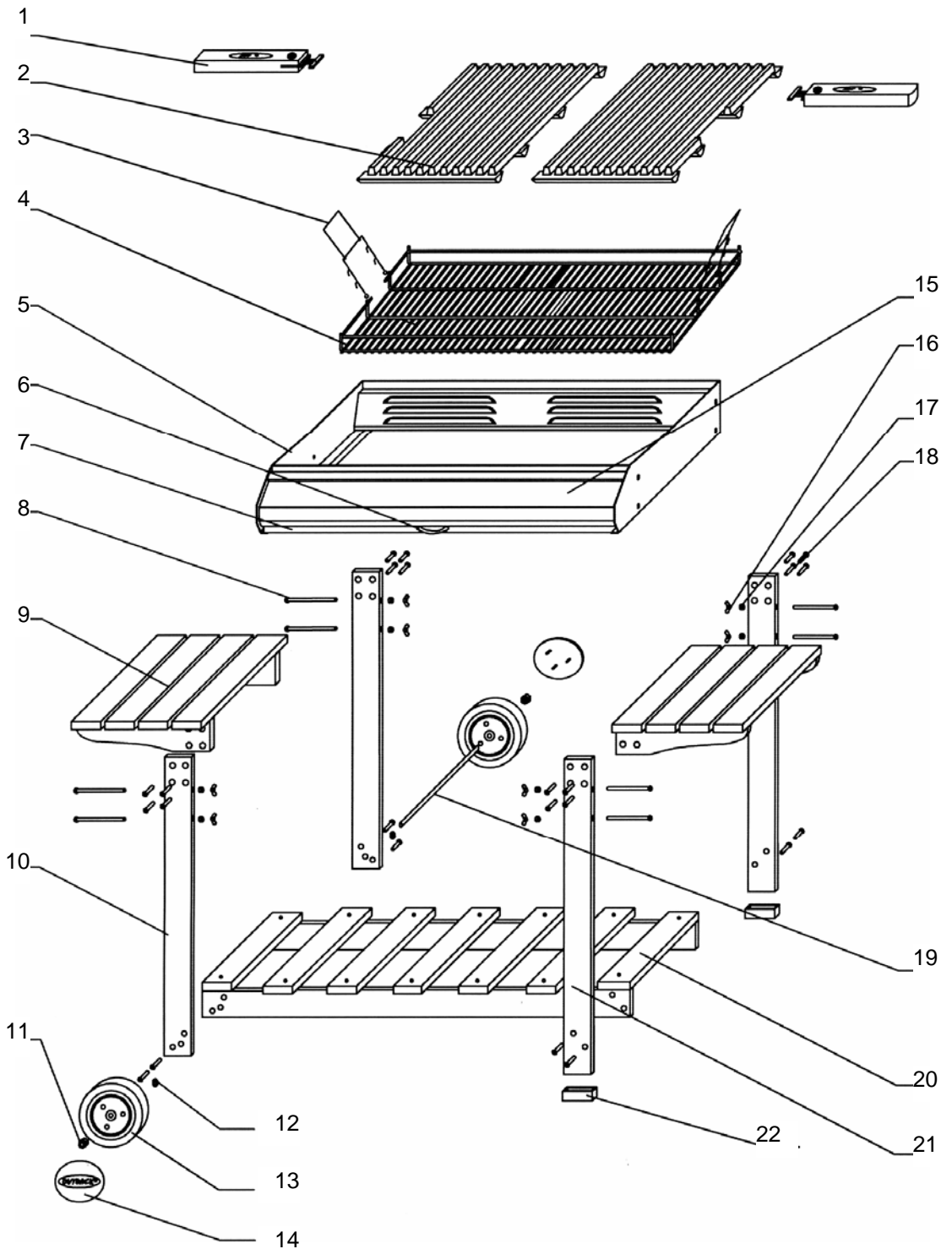
Quantities vary according to model purchased. Specifications subject to change without prior notice. For more details on hardware, please see 'Hardware Reference Diagram'.

CODE	PART	QTY	Outback® Charcoal Classic 2000	Outback® Charcoal Roaster 2000	Outback® Charcoal Roaster 3000
1	Grill Lifting Handle	2	✓	✓	✓
2	Cast Iron Grill	2	✓	✓	✓
3	Charcoal Basket Handle	2*	✓	✓	✓
4	Charcoal Basket	1	✓	✓	✓
5	Barbecue Body	1	✓	✓	✓
6	Ash Tray Handle	1*	✓	✓	✓
7	Ash Tray	1*	✓	✓	✓
8	Body Support Bolt	8	✓	✓	✓
9	Side Shelf	2	✓	✓	✓
10	Short Leg	2	✓	✓	✓
11	Locknut	2	✓	✓	✓
12	Washer	2	✓	✓	✓
13	Wheel	2	✓	✓	✓
14	Hubcap	2	✓	✓	✓
15	Facia Panel	1*	✓	✓	✓
16	Wing Nut	8	✓	✓	✓
17	Body Support Spacer	8	✓	✓	✓
18	Trolley Bolt	24	✓	✓	✓
19	Axle	1	✓	✓	✓
20	Trolley Base	1	✓	✓	✓
21	Long Leg	2	✓	✓	✓
22	Leg Endcap	2*	✓	✓	✓
23	Handle	1		✓	✓
24	Heat Shield	1		✓	✓
25	Handle Washer	2		✓	✓
26	Handle Nut	2		✓	✓
27	Vent Nut	8		✓	✓
28	Vent Screw Washer	8		✓	✓
29	Vent Screw	8		✓	✓
30	Vent Panel	2		✓	✓
31	Vent Panel Spacer	8		✓	✓
32	Handle Bolt	2		✓	✓
33	Handle Spacer	2		✓	✓
34	Heat Gauge	1		✓	✓
35	Heat Gauge Nut	2		✓	✓
36	Warming Rack	1*		✓	✓
37	Hood	1*		✓	✓

* Pre-assembled Component

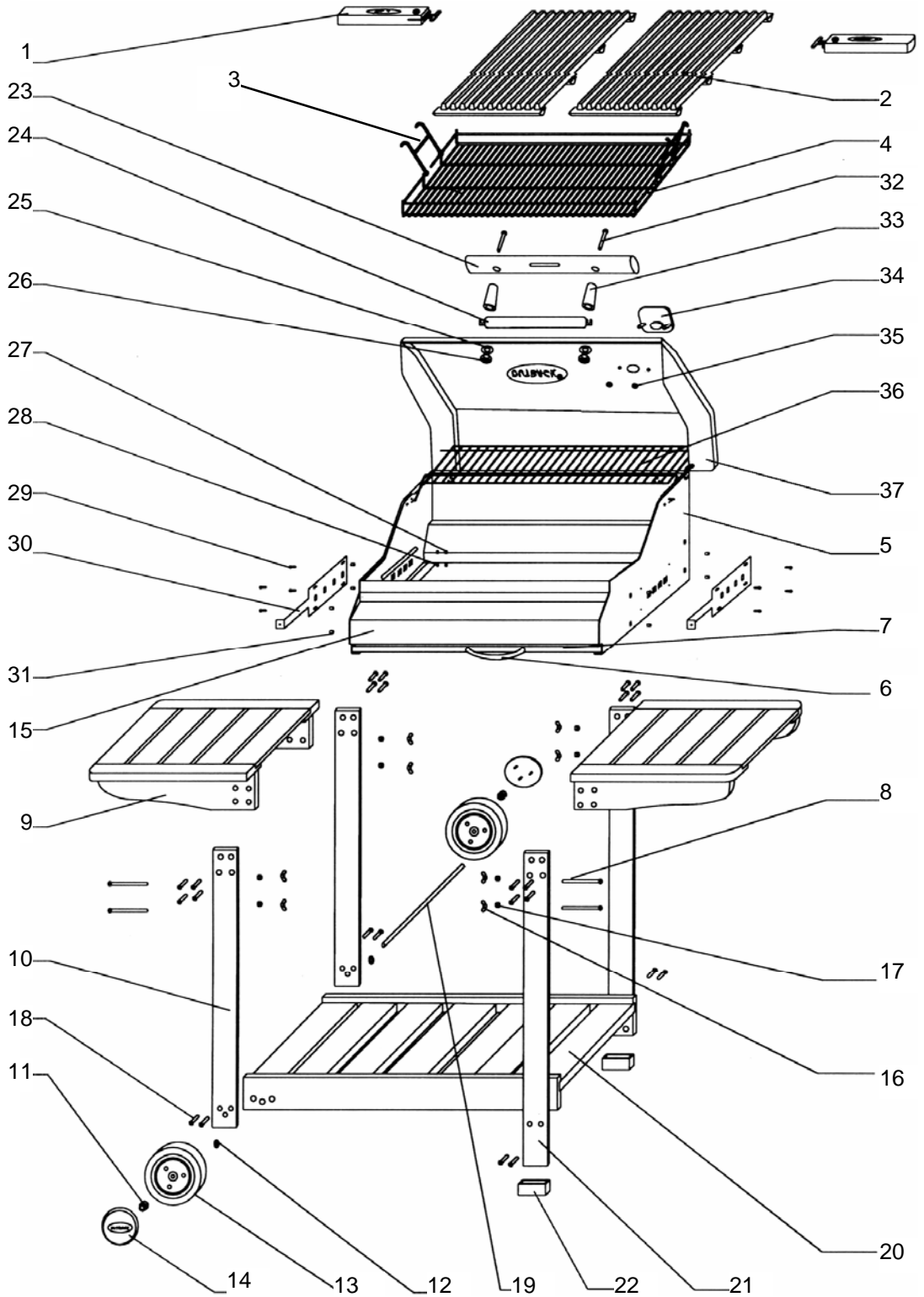
B1. Charcoal Classic 2000 Parts Diagram

Quantities vary according to model purchased. Specifications subject to change without prior notice. For more details on hardware, please see 'Hardware Reference Diagram.'



B2. Charcoal Roaster 2000/3000 Parts Diagrams

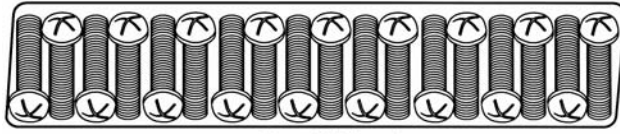
Quantities vary according to model purchased. Specifications subject to change without prior notice. For more details on hardware, please see 'Hardware Reference Diagram.'



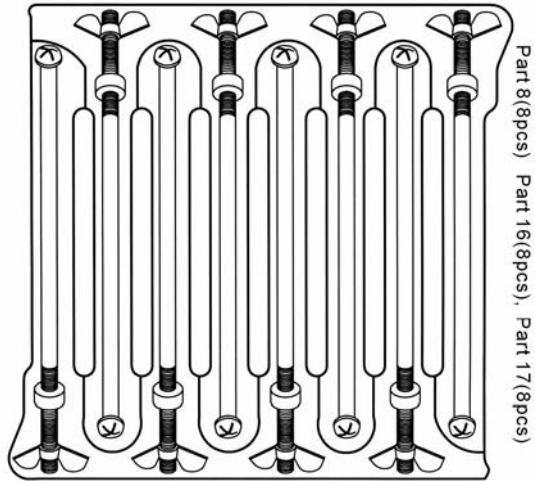
B3. Hardware Reference Diagram

Specifications subject to change without prior notice.

Charcoal Classic 2000

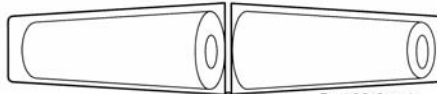


Part 18(24pcs)

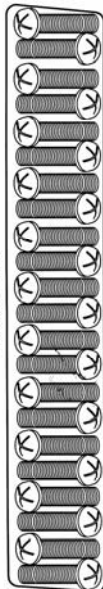


Part 8(8pcs), Part 16(8pcs), Part 17(8pcs)

Charcoal Roaster 2000/3000



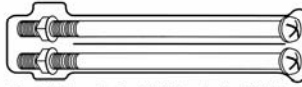
Part 33(2pcs)



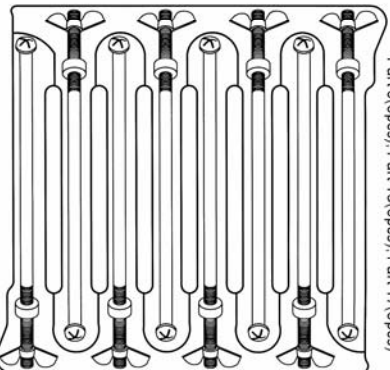
Part 18(24pcs)



Part 27(8pcs), Part 28(8pcs), Part 29(8pcs), Part 31(8pcs)



Part 25(2pcs), Part 26(2pcs), Part 32(2pcs)



Part 8(8pcs), Part 16(8pcs), Part 17(8pcs)