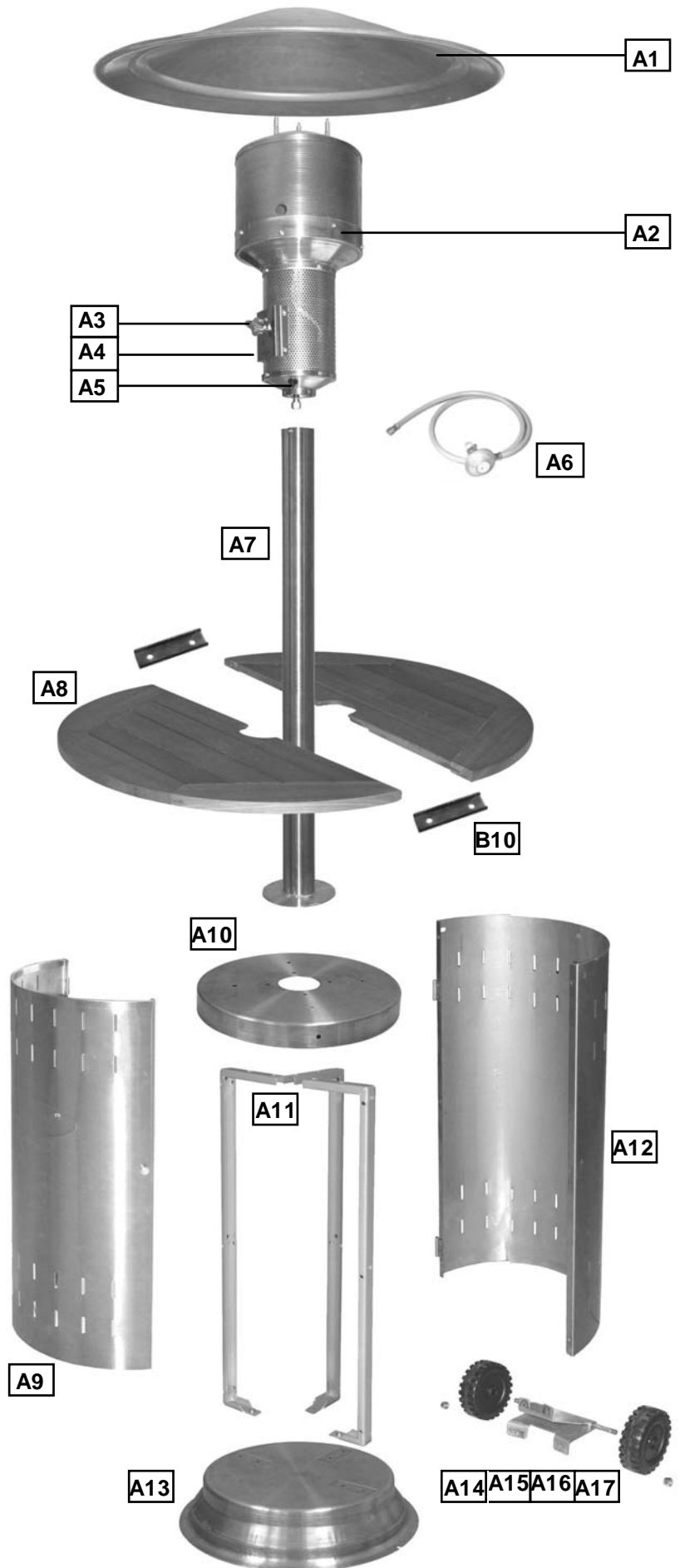


A. Parts List

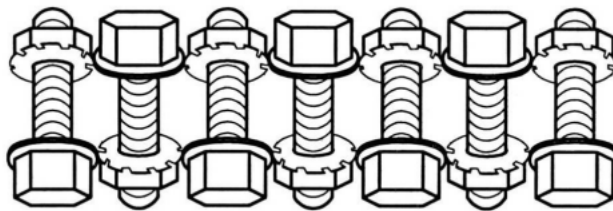
Code	Part	Qty
Heater Components		
A1	Reflector	1
A2	Burner Assembly	1
A3	Knob*	1
A4	Control Panel*	1
A5	Ignition Pushbutton*	1
A6	Hose/Regulator	1
A7	Post	1
A8	Table Half	2
A9	Door	1
A10	Base Top	1
A11	Base Support	3
A12	Base Hull	1
A13	Base	1
A14	Wheel Locknut	2
A15	Wheel	2
A16	Wheel Axle Washer	2
A17	Wheel Axle Bracket	1
Hardware (For more details, see Hardware Reference diagram)		
B1	M6x20 Hex Bolt	8
B2	Large Plain Washer	9
B3	M6 Hex Locknut	8
B4	M4x15 Flat Screw	6
B5	Small Plain Washer	6
B6	M4 Hex Nut	6
B7	1/4UNCx12 Bolt	8
B8	Spacer	1
B9	Latch	1
B10	Table bracket	2
*Pre-Assembled Component		
Specifications subject to change without notice.		



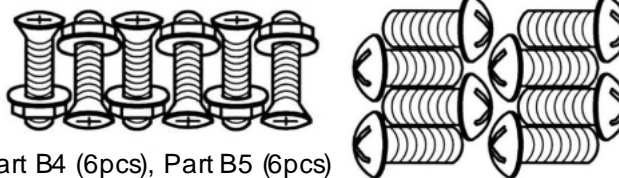
B. Hardware Reference Diagram

Specifications subject to change without prior notice.

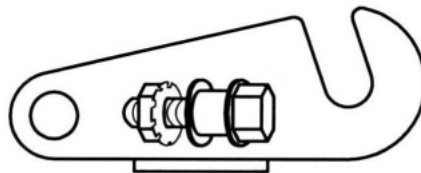
Part B1 (7pcs), Part B2 (7pcs), Part B3 (7pcs)



Part B7 (8pcs)



Part B4 (6pcs), Part B5 (6pcs)
Part B6 (6pcs)



Part B1 (1pc)
Part B2 (2pcs)
Part B3 (1pc)
Part B8 (1pc)
Part B9 (1pc)