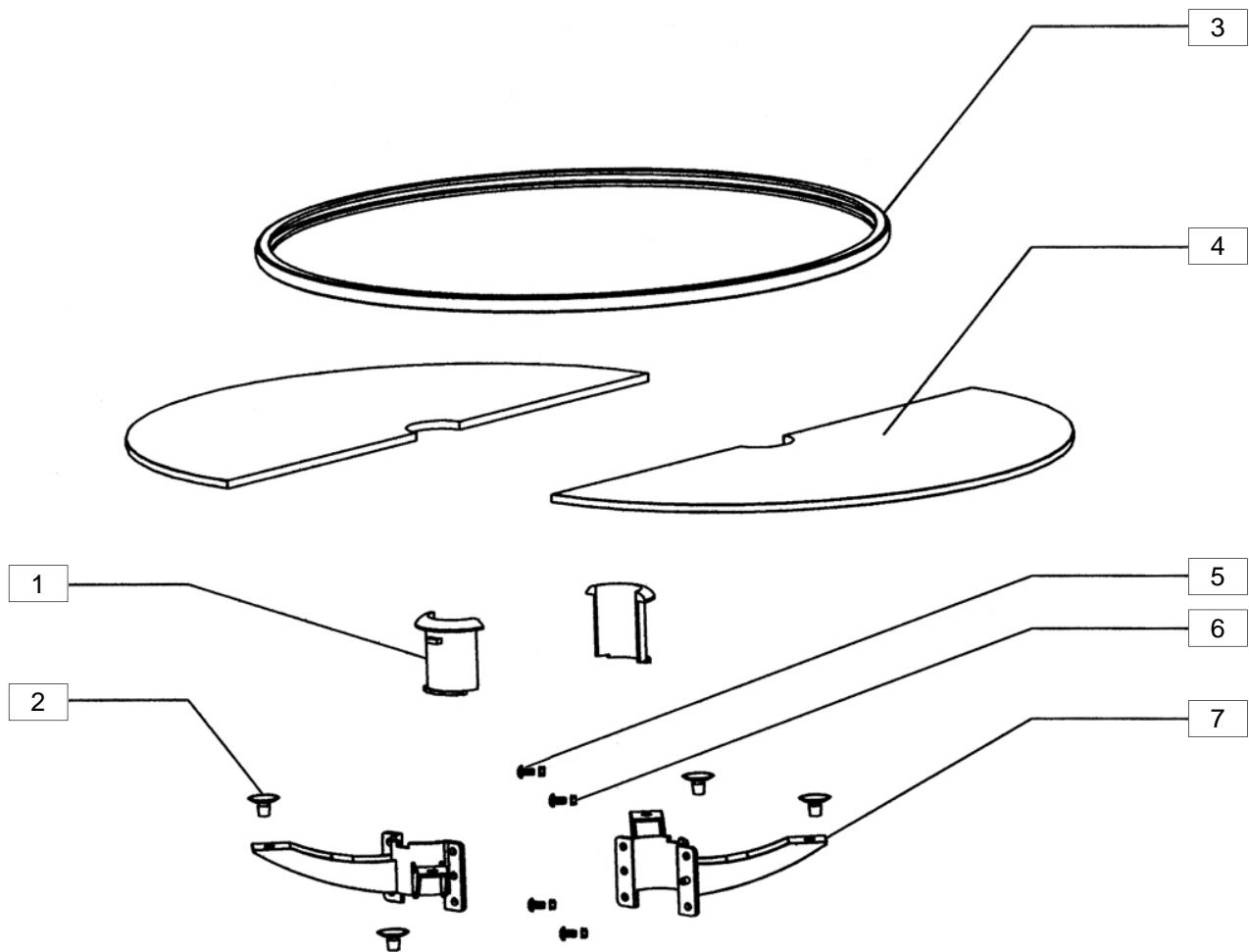




## Outback® Patio Heater Table: Assembly Instructions

PARTS LIST					
Part ID	Qty.	Part	Part ID	Qty.	Part
1	2	Sleeve Half	5	4	M6x20 Bolt
2	4	Suction Cup	6	4	M6 Nut
3	1	Rubber Ring	7	2	Mounting Bracket
4	2	Glass Half			



1



Locate the Sleeve Halves (1) around the post.

2



Place the Mounting Brackets (7) around the Sleeve Halves. The tab on the Sleeve Halves should slot into the notch on the upper portion of the Mounting Brackets.

3



Secure with Bolts (5) and Nuts (6).

4



Locate the Table Halves into place. The inner edge of the table should slot in between the upper lip of the Sleeves and the upper edge of the Mounting Brackets.

5



Repeat for the other Table Half.

6



Pull the Rubber Ring up from under the patio heater base and around the body. Fit the Rubber Ring onto the edges of the table halves.

Assembly is now complete.